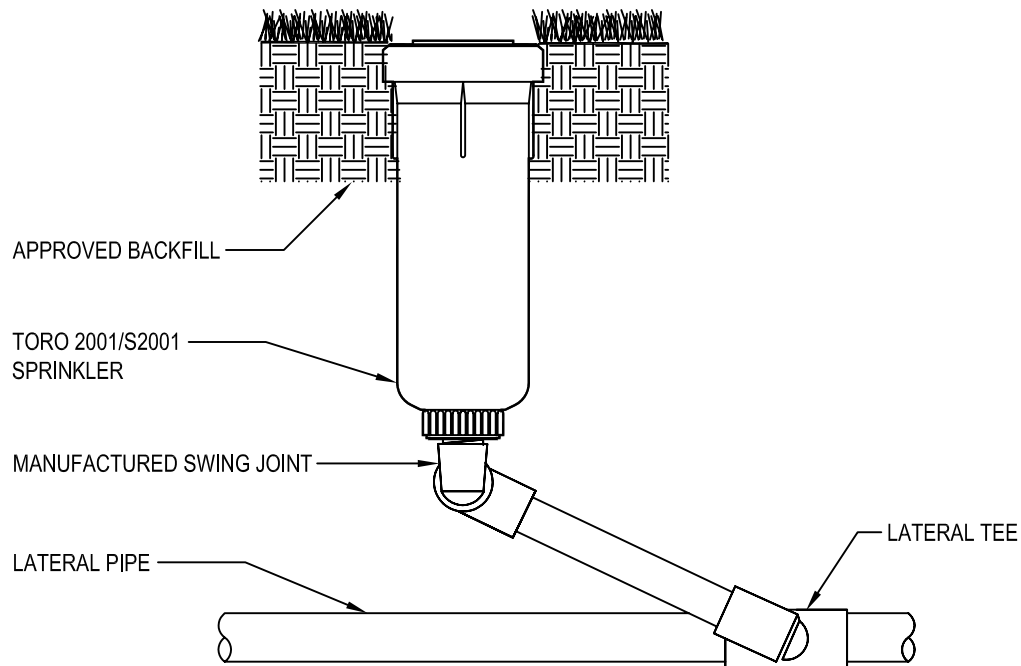




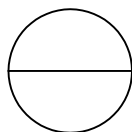
TORO-IRRIGATION DIVISION
5825 JASMINE STREET
RIVERSIDE, CA 92504
TOLL FREE: 1-800-664-4740
PHONE: (951) 785-3152
FAX: (951) 359-1870
www.toro.com



SECTION/ELEVATION
NOT TO SCALE

NOTES:

1. INSTALLATION TO BE COMPLETED IN ACCORDANCE WITH MANUFACTURERS SPECIFICATIONS.
2. DO NOT SCALE DRAWINGS.
3. CONTRACTORS NOTE: FOR PRODUCT AND COMPANY INFORMATION VISIT www.CADdetails.com/info REFERENCE NUMBER 065-031.



LT SPRINKLERS: 2001 SERIES

SINGLE-STREAM SPRINKLER, CHECK-O-MATIC