

Service, Repair Kit and Maintenance

Servicing Dual Check Valves

1. Remove the Model 510/LF510 from the line (union nut and adapter remain in the line).
2. Remove the two check modules by pressing firmly from the outlet end (end with wrench pads). O-ring seals will be removed with the removal of modules from the body.

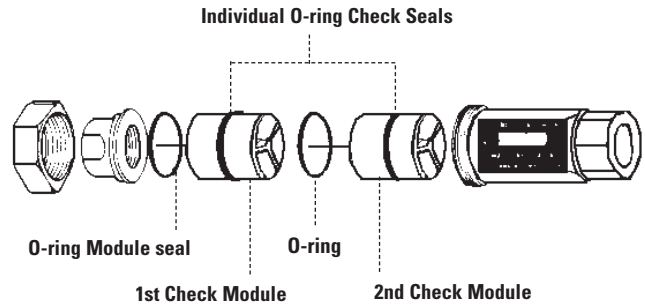
CAUTION: To prevent damage to O-ring seals, do not attempt to pry the O-ring seal free before removing check modules. **NOTE:** Complete check module assemblies are available as replacement parts. It is recommended that if check modules are fouled, that the entire check module be replaced.

3. Inspect body bore and clean surfaces of any foreign material.
4. Using silicone grease, apply small amount to each exterior surface of the O-ring seals. If O-ring is to be replaced, lubricate as above. A light application of silicone grease to inlet of body bore is beneficial. Do not lubricate seat of seat disc.

NOTE: Only FDA approved silicone grease should be used and is furnished with each FEBCO Model 510/LF510 repair kit.

5. Reinsert the check modules and O-rings into body in direction of flow.

NOTE: 1st and 2nd check modules are identical and interchangeable. Do not overtighten union nut.



Repair Kit

ORDERING CODE	KIT NO.	SIZE (Inches)
0710605	RK 510 T	1/2 - 1/4

Kit Includes: First and Second Check modules, O-rings and spacers if needed.

CALIFORNIA PROPOSITION 65 WARNING

WARNING: This product contains chemicals known to the State of California to cause cancer and birth defects or other reproductive harm. (California law requires this warning to be given to customers in the State of California.)

For more information: www.watts.com/prop65

Limited Warranty: FEBCO warrants each product to be free from defects in material and workmanship under normal usage for a period of one year from the date of original shipment. In the event of such defects within the warranty period, the Company will, at its option, replace or recondition the product without charge.

THE WARRANTY SET FORTH HEREIN IS GIVEN EXPRESSLY AND IS THE ONLY WARRANTY GIVEN BY THE COMPANY WITH RESPECT TO THE PRODUCT. THE COMPANY MAKES NO OTHER WARRANTIES, EXPRESS OR IMPLIED. THE COMPANY HEREBY SPECIFICALLY DISCLAIMS ALL OTHER WARRANTIES, EXPRESS OR IMPLIED, INCLUDING BUT NOT LIMITED TO THE IMPLIED WARRANTIES OF MERCHANTABILITY AND FITNESS FOR A PARTICULAR PURPOSE.

The remedy described in the first paragraph of this warranty shall constitute the sole and exclusive remedy for breach of warranty, and the Company shall not be responsible for any incidental, special or consequential damages, including without limitation, lost profits or the cost of repairing or replacing other property which is damaged if this product does not work properly, other costs resulting from labor charges, delays, vandalism, negligence, fouling caused by foreign material, damage from adverse water conditions, chemical, or any other circumstances over which the Company has no control. This warranty shall be invalidated by any abuse, misuse, misapplication, improper installation or improper maintenance or alteration of the product.

Some States do not allow limitations on how long an implied warranty lasts, and some States do not allow the exclusion or limitation of incidental or consequential damages. Therefore the above limitations may not apply to you. This Limited Warranty gives you specific legal rights, and you may have other rights that vary from State to State. You should consult applicable state laws to determine your rights. **SO FAR AS IS CONSISTENT WITH APPLICABLE STATE LAW, ANY IMPLIED WARRANTIES THAT MAY NOT BE DISCLAIMED, INCLUDING THE IMPLIED WARRANTIES OF MERCHANTABILITY AND FITNESS FOR A PARTICULAR PURPOSE, ARE LIMITED IN DURATION TO ONE YEAR FROM THE DATE OF ORIGINAL SHIPMENT.**

