



GEAR DRIVE SPRINKLER

RO-100

SETTING AND INSTALLATION

NOTE: The RO-100 is preset with a 90° ARC, and a pre-installed 2.5GPM nozzle.

CHANGING THE ARC SETTING:

FIND THE LEFT START POSITION

- 1) First, rotate the turret with your fingers to the right (clockwise) until it stops.
- 2) Rotate the turret with your fingers to left (counter clockwise) until it stops.

This is the left start position. The sprinklers will begin spraying from this point and will rotate clockwise.

TO CHANGE THE ARC SETTING

- 3) Find the left start position in steps 1 and 2, while holding the turret (so that it does not rotate), insert the key or flat blade screwdriver into the arrow slot at the center of the turret.
- 4) Turn the key counter clockwise to increase the ARC.
- 5) Turn the key clockwise to decrease the ARC.

BE CAREFUL: Don't force the ARC indication arrow under 30° or over 360° setting.

Follow steps 1-5 to adjust the ARC setting with the sprinkler **ON**.

POINTING THE LEFT START POSITION

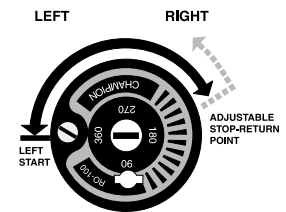
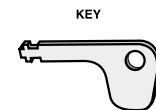
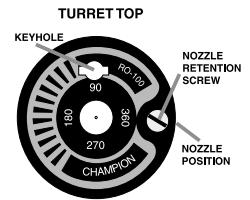
- 6) You can orient the left start position (the point where the sprinkler will begin spraying) by simply turning the entire sprinkler housing on the pipe.
- OR-**
- 7) Visually point the nozzle retention screw where you want the sprinkler to begin spraying.

- 8) Pull the riser up. With your key, grab the lower portion of the riser and rotate it to orient the nozzle to the desired left starting position.

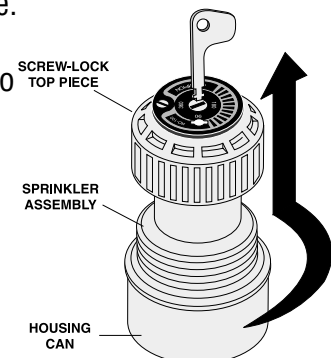
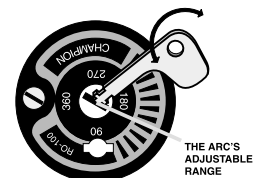
IMPORTANT: Do not grab the top portion of the riser.

INSPECT FILTER BASKET

Unscrew the top and lift the complete sprinkler assembly out of the housing can. The filter basket is on the bottom of the sprinkler assembly and can be easily pulled out, cleaned and reinstalled.



ARC SELECTION:
30° TO 360°





GEAR DRIVEN SPRINKLER

RO-100

CHANGING A NOZZLE

- 1) Remove the nozzle retention screw with your key or a screwdriver. Insert your key into the key hole on top of the turret, and turn the key 1/4 turn so it doesn't slip out of the keyhole.
- 2) Pull up the riser, with the key to access the nozzle socket. Hold the riser up with one hand.
- 3) Remove the nozzle with your key by inserting the key into the slot directly under the nozzle prongs at the top of the nozzle. Now pivot your key 1/4 turn to hook the nozzle and pull out.
- 4) Install the desired nozzle into the nozzle socket. Make sure the nozzle number is visible and the nozzle prongs are up. Reinstall the nozzle retention screw.

NOTE: The nozzle retention screw is also a deflection screw and adjusts the distance of the spray.

STANDARD NOZZLE PERFORMANCE CHART

Nozzle	Performance		
	Nozzle Pressure P.S.I.	Radius FT.	Flow GPM
NO 1	40	35	1.0
	50	38	1.4
	60	38	1.5
NO 2	40	39	2.5
	50	40	3.0
	60	41	3.1
NO 2.5	40	39	2.8
	50	40	3.2
	60	41	3.5
NO 3	40	42	3.3
	50	45	3.6
	60	46	4.2
NO 4	40	45	4.5
	50	47	5.4
	60	52	5.8
NO 6	40	49	6.2
	50	51	7.0
	60	54	7.9
NO 8	40	47	8.0
	50	51	8.9
	60	53	9.6

LOW ANGLE NOZZLE PERFORMANCE CHART

Nozzle	Performance		
	Nozzle Pressure P.S.I.	Radius FT.	Flow GPM
NO 1	40	24	1.7
	50	26	1.8
	60	28	2.0
NO 3	40	32	3.1
	50	35	3.5
	60	37	3.8
NO 4	40	34	3.9
	50	37	4.4
	60	38	4.7
NO 6	40	38	6.5
	50	40	7.3
	60	42	8.0

Data represents test results in zero wind. Adjust for local conditions.

Standard nozzle kit included with RO-100.
Low Angle Nozzle Kit is optional.
Please see your dealer.